



Xtensa is a monthly soft contact lens for all audiences and lifestyles manufactured with our patented micro-precision technology. Its consistent comfort and vision clarity make it ideal for the most dynamic and carefree contact lens users.

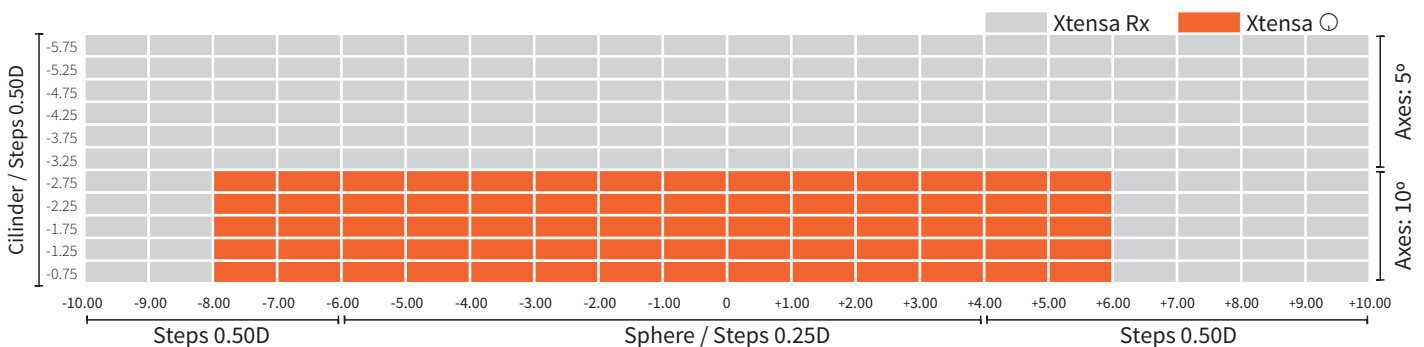
- HYDROGEL
- MONTHLY
- RX DESIGN
- ASPHERIC
- TORIC
- MULTIFOCAL

## CHARACTERISTICS

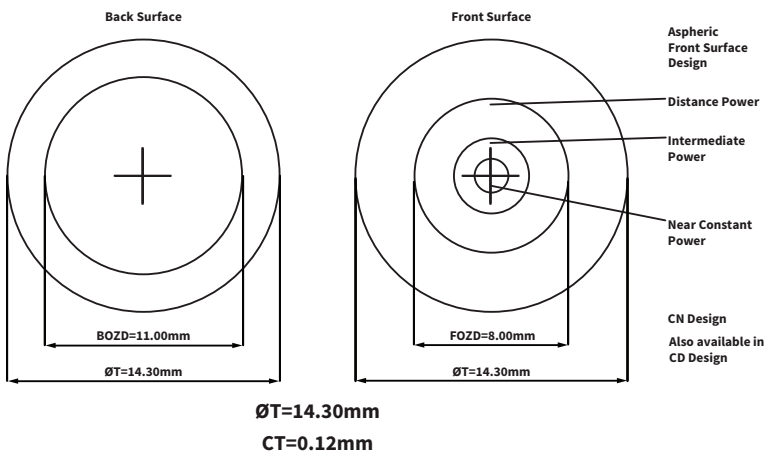
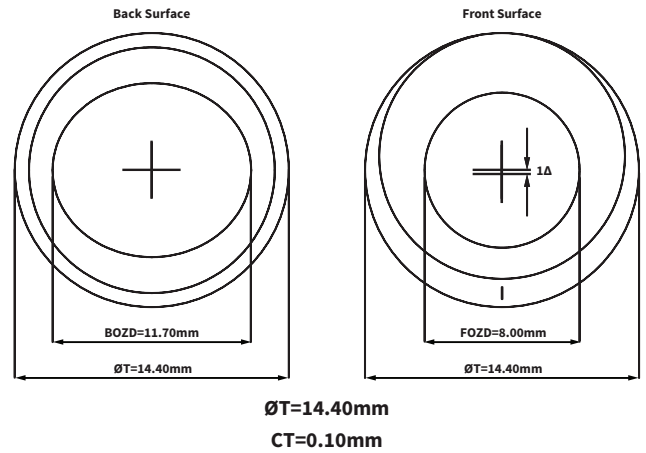
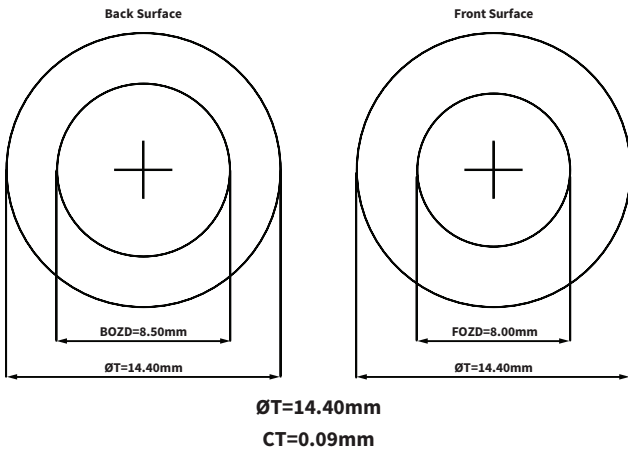
<b>More Custom</b>	Design flexibilities beyond other standard hydrogels.
<b>More Comfort</b>	High-performance Hydrogel (55%).
<b>Vision Type</b>	Active—clear vision for your lifestyle.

## TECHNICAL SPECIFICATIONS

MATERIAL	Hydrogel Filcon IV 1, 55%		
Dk	19		
HANDLING TINT	Yes		
		Parameter Range	Steps
DIAMETER (mm)		<b>14.40</b>	
		<b>14.30</b>	
BASE CURVE (mm)		<b>8.70</b>	
		<b>8.60</b>	
SPHERE (D)		<b>+8.00 to -10.00</b>	<b>0.25</b> +6.00 to -6.00; <b>0.50</b> +8.00 to +6.00, -6.00 to -10.00
		<b>+6.00 to -8.00</b>	<b>0.25</b> +4.00 to -6.00; <b>0.50</b> +6.00 to +4.00, -6.00 to -8.00
		<b>+10.00 to -10.00</b>	<b>0.25</b> +4.00 to -6.00; <b>0.50</b> +10.00 to +4.00, -6.00 to -10.00
		<b>+10.00 to -10.00</b>	<b>0.25</b> +4.00 to -6.00; <b>0.50</b> +10.00 to +4.00, -6.00 to -10.00
CYLINDER (D)		<b>-0.75 to -2.75</b>	<b>0.50</b>
		<b>-0.75 to -5.75</b>	<b>0.50</b>
AXES (°)		<b>All</b>	<b>10°</b>
		<b>All</b>	<b>10°</b> Cyl -0.75 to -2.75; <b>5°</b> Cyl -3.25 to -5.75
ADDITION (D)		<b>Low – High</b>	
MULTIFOCAL - DESIGN		<b>CD – CN</b>	



# XTENSA LENS DESIGN



## GENERAL FITTING GUIDE

### Myopia - Low Hypermetropy

Dominant Eye	Non-Dominant Eye

CD: Centre Distance

CN: Centre Near

### Hypermetropy > +0.75D

Dominant Eye	Non-Dominant Eye

CN Design for Both Eyes

Lens design parameters may change depending on the power:

- \* Based on Sph -3.00
- \*\* Based on Sph -3.00 Cyl -2.75
- \*\*\* Based on Sph -3.00 Add HIGH