

# Saphir RX



Inspire your eyes  
**markennovy**














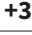
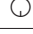
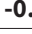


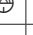
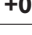
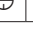

Saphir Rx is a monthly soft contact lens individually made with Silicone Hydrogel, the most advanced material on the market, which maximises oxygen flow to the eye. Its unique combination of comfort, breathability and vision quality suits even the most demanding contact lens user.

-  **k3**
-  **SILICONE HYDROGEL**
-  **SPHERIC**
-  **MONTHLY**
-  **TORIC**
-  **RX DESIGN**
-  **MULTIFOCAL**
-  **MULTIFOCAL TORIC**

## CHARACTERISTICS

- More Custom** Individually made for each eye in all designs.
- More Comfort** High water content Silicone Hydrogel (75%) with a non-ionic surface.
- Vision Type** HD—for all day clarity and precision.

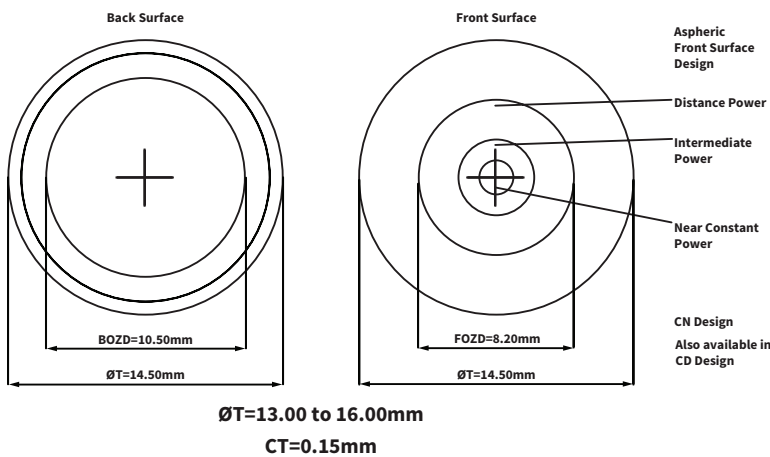
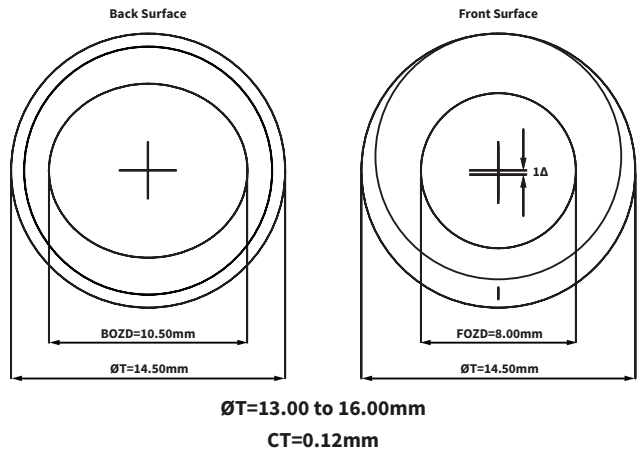
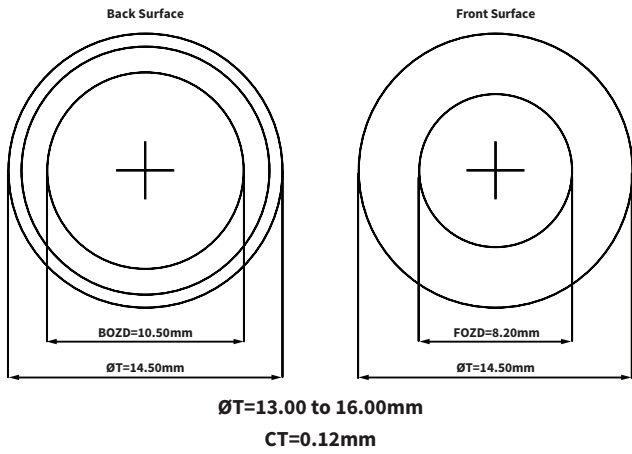
## TECHNICAL SPECIFICATIONS

MATERIAL	<b>Silicone Hydrogel</b> Filcon V3, 75% Non-ionic surface		
Dk	<b>60</b>		
		Parameter Range	Steps
DIAMETER (mm)	   	<b>13.00 to 16.00</b>	<b>0.50</b>
BASE CURVE (mm)	   	<b>6.80 to 9.80</b>	<b>0.30</b>
SPHERE (D)	   	<b>+30.00 to -30.00</b>	<b>0.25</b>
CYLINDER (D)	 	<b>-0.75 to -8.00</b>	<b>0.25</b>
AXES (°)	 	<b>All</b>	<b>1°</b>
ADDITION (D)	 	<b>+0.50 to +4.00</b>	<b>0.50</b>
MULTIFOCAL - DESIGN	 	<b>CD - CN</b>	

## FITTING GUIDE

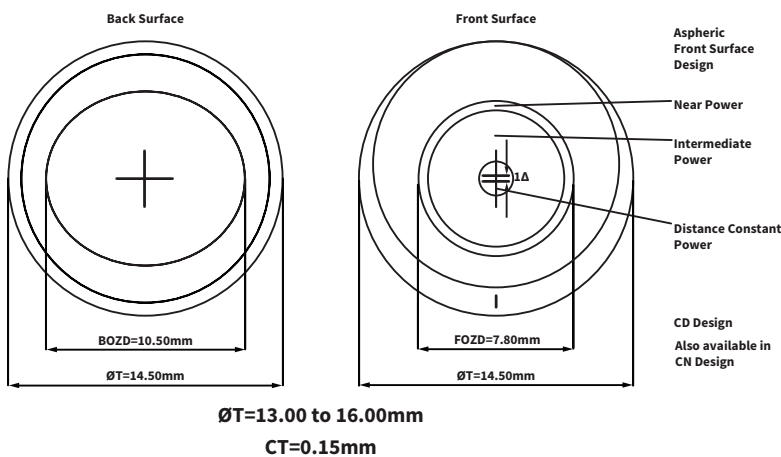
DIAMETER (mm)	13.00	13.50	14.00	14.50	15.00	15.50	16.00
BASE CURVE (mm)	6.80-8.90	7.10-9.20	7.40-9.50	7.70-9.80	8.00-9.80	8.30-9.80	8.60-9.80
BASE CURVE FITTING	Km +0.0	Km +0.1	Km +0.3	Km +0.5	Km +0.7	Km +0.9	Km +1.1

# SAPHIR RX LENS DESIGN



## MULTIFOCAL & MULTIFOCAL TORIC

GENERAL FITTING GUIDE	
Myopia - Low Hypermetropy	
Dominant Eye	Non-Dominant Eye
CD: Centre Distance	CN: Centre Near
Hypermetropy > +0.75D	
Dominant Eye	Non-Dominant Eye
CN Design for Both Eyes	



Lens design parameters may change depending on the power:

- \* Based on Sph -3.00
- \*\* Based on Sph -3.00 Cyl -2.75
- \*\*\* Based on Sph -3.00 Add 2.00
- \*\*\*\* Based on Sph -3.00 Cyl -1.25 Add 2.00