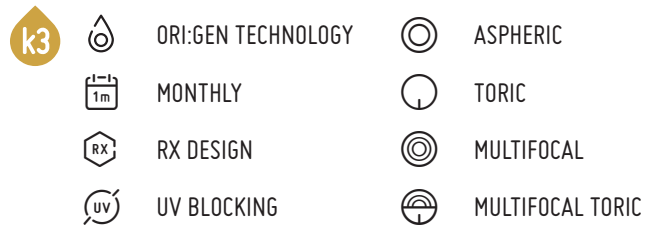


Gentle80



Gentle 80 is a premium monthly soft contact lens individually manufactured with Ori:gen Technology, a next-generation hydrogel material designed to mimic the surface of the human cornea.

Its 80% water content is one of many outstanding characteristics that make Gentle 80 a new standard for all-day comfort, health, and handling in contact lenses.



CHARACTERISTICS

Custom-made	Individually manufactured for each eye in all designs.
More Comfort	Ori:gen Technology provides unmatched wettability and a low modulus (MPa 0.13).
Vision Type	HD—for all day clarity and precision.

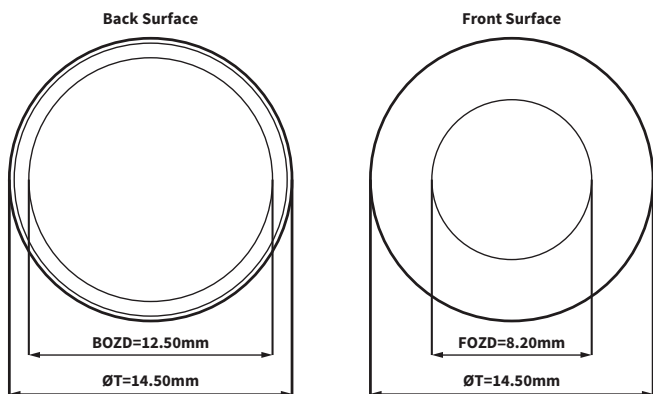
TECHNICAL SPECIFICATIONS

MATERIAL	Ori:gen Technology, 80% H ₂ O		
Dk	60		
HANDLING TINT	Yes		
UV BLOCKING	Yes		
MODULUS (MPa)	0.13		
		Parameter Range	Steps
DIAMETER (mm)	⊙ ⊙ ⊙ ⊙	13.00 to 16.00	0.50
BASE CURVE (mm)	⊙ ⊙ ⊙ ⊙	7.10 to 9.80	0.30
SPHERE (D)	⊙ ⊙ ⊙ ⊙	+30.00 to -30.00	0.25
CYLINDER (D)	⊙ ⊙	-0.75 to -8.00	0.25
AXES (°)	⊙ ⊙	All	1°
ADDITION (D)	⊙ ⊙	+0.50 to +4.00	0.50
MULTIFOCAL - DESIGN	⊙ ⊙	CD - CN	

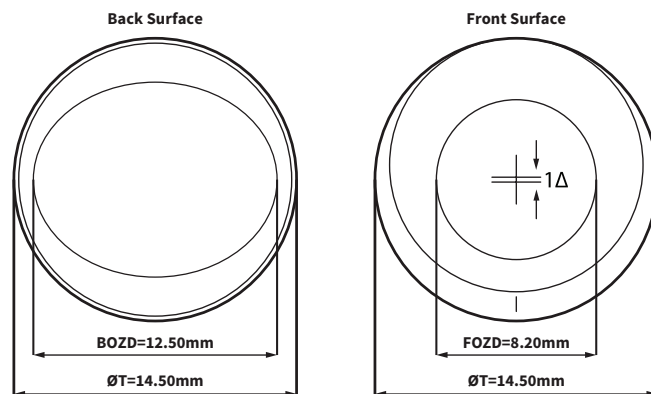
FITTING GUIDE ⊙ ⊙ ⊙ ⊙

DIAMETER (mm)	13.00	13.50	14.00	14.50	15.00	15.50	16.00
BASE CURVE (mm)	7.10-8.90	7.10-9.20	7.40-9.50	7.70-9.80	8.00-9.80	8.30-9.80	8.60-9.80
BASE CURVE FITTING KM= (K1+K2)/2	Km +0.0	Km +0.0	Km +0.1	Km +0.3	Km +0.5	Km +0.7	Km +0.9

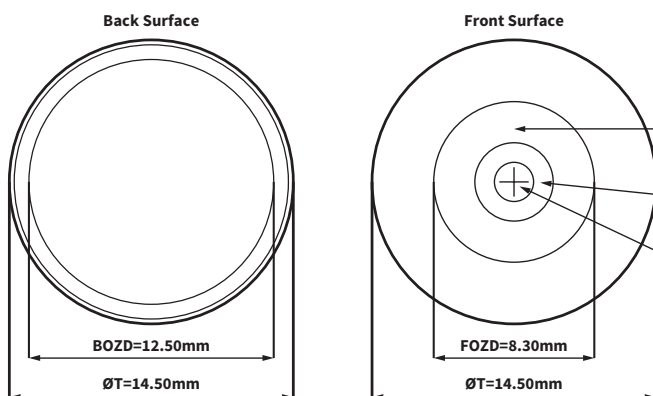
GENTLE 80 LENS DESIGN



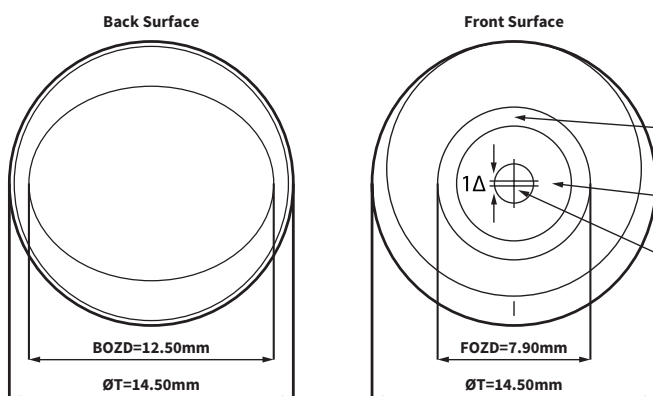
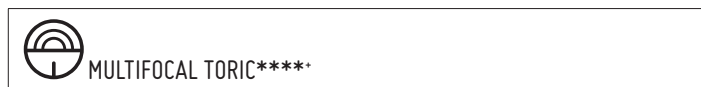
ØT=13.00 to 16.00mm
CT=0.12mm



ØT=13.00 to 16.00mm
CT=0.12mm



ØT=13.00 to 16.00mm
CT=0.14mm



ØT=13.00 to 16.00mm
CT=0.14mm

MULTIFOCAL & MULTIFOCAL TORIC

GENERAL FITTING GUIDE	
Myopia - Low Hypermetropy	
Dominant Eye	Non-Dominant Eye
CD: Centre Distance	CN: Centre Near
Hypermetropy > +0.75D	
Dominant Eye	Non-Dominant Eye
CN Design for Both Eyes	

Lens design parameters may change depending on the power:

- * Based on Sph -3.00
- ** Based on Sph -3.00 Cyl -3.75
- *** Based on Sph -3.00 Add 2.00
- **** Based on Sph -3.00 Cyl -3.75 Add 1.00

*Optical zone diameters are personalised, and vary depending on the addition to optimise vision quality.